

PRODUCT DATA SHEET



PRODUCT CODE

BR_K9621ECL1

RANGE

Toilet Cisterns

DESCRIPTION

WC Waste Pipe Adaptor 90-110mm

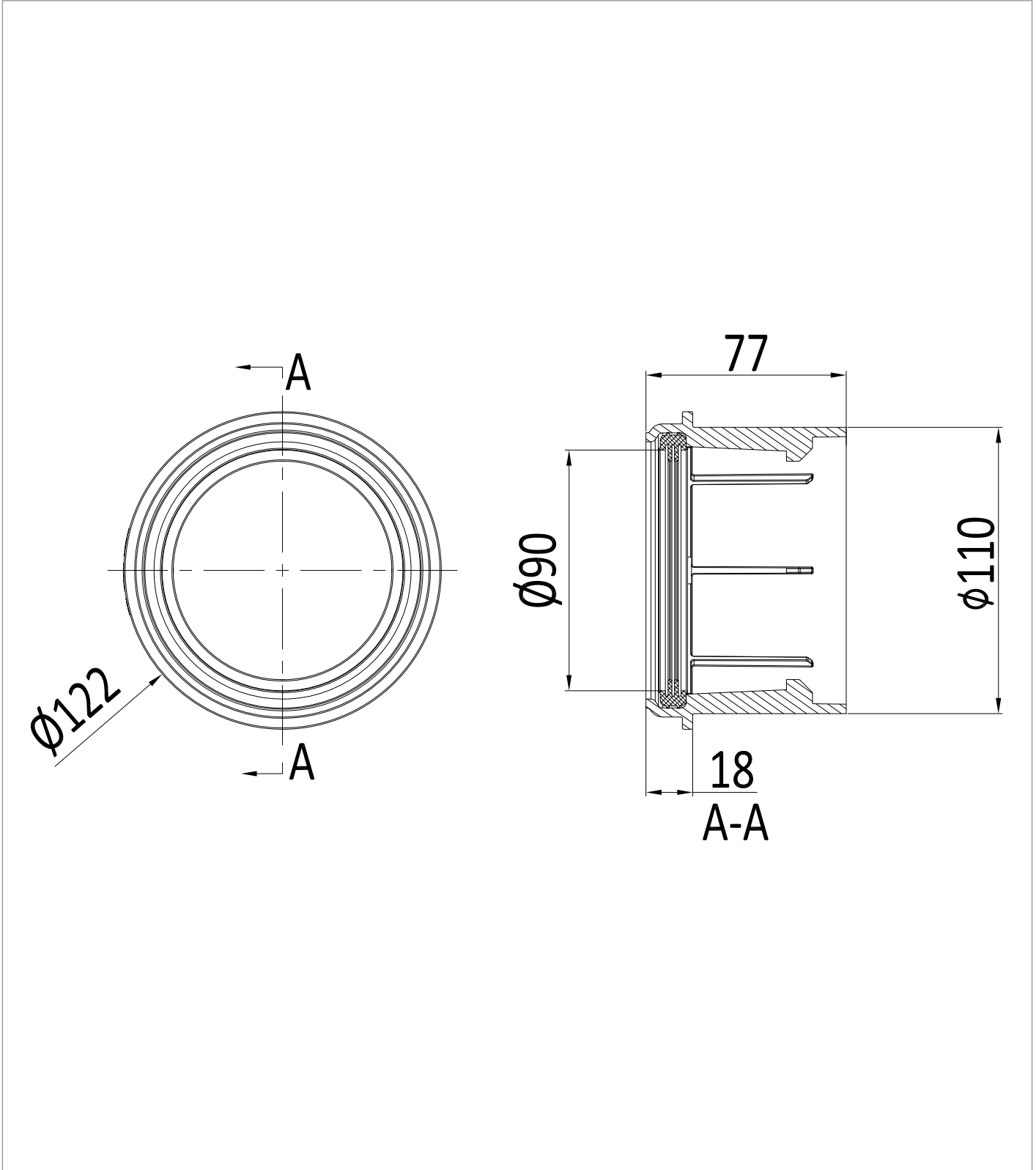
CATEGORY	Sanitaryware
WARRANTY DETAILS	2 Years
PRIMARY MATERIAL	HDPE Polymer
PRODUCT WIDTH MM	124.3
PRODUCT HEIGHT MM	77
PRODUCT LENGTH MM	124.3
PRODUCT NET WEIGHT KG	0.13

FIXINGS INCLUDED	No
-------------------------	----

TECHNICAL DIMENSIONS

Dimensions in mm unless otherwise specified.

Tolerances (per material type) apply.



SPARES LIST

Only the parts labelled are available as spares.

NO SPARES AVAILABLE