

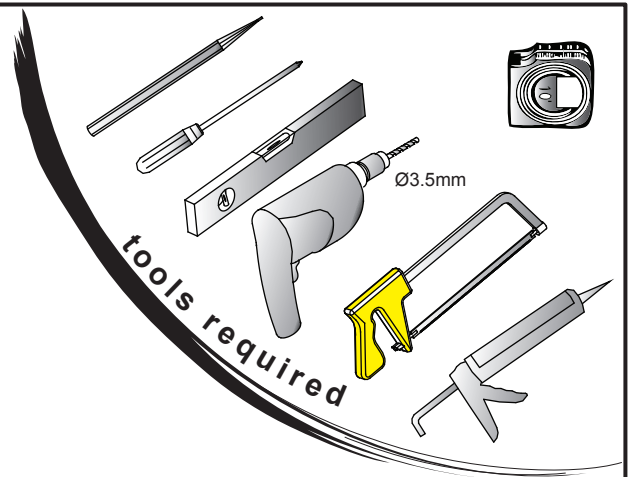
# SHOWER TRAY INSTRUCTION

## Offset Quadrant Shower Tray

1000mm x 800mm x 35mm

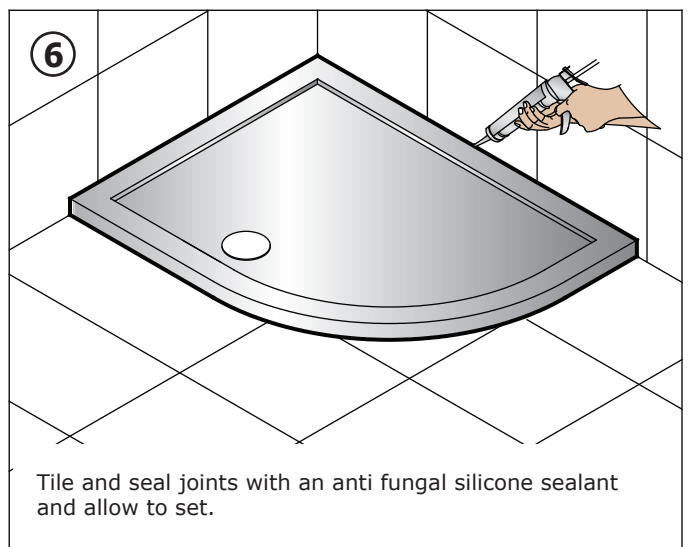
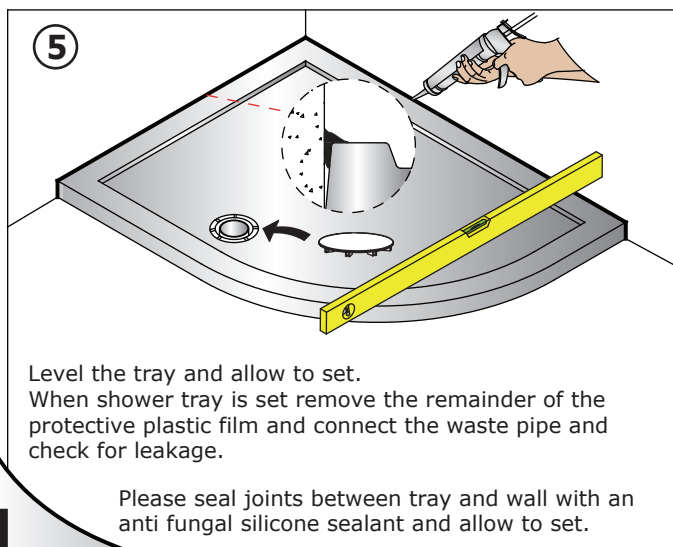
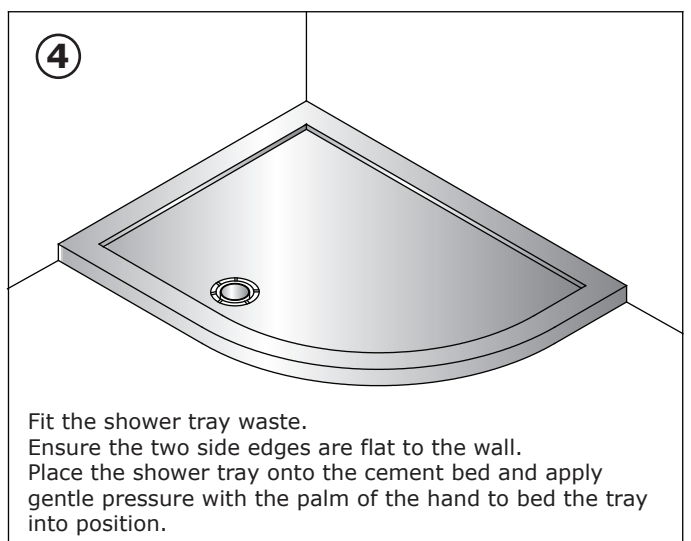
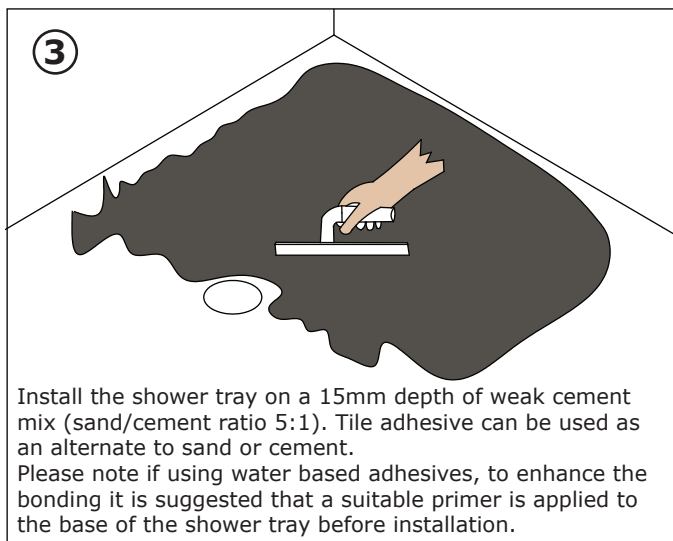
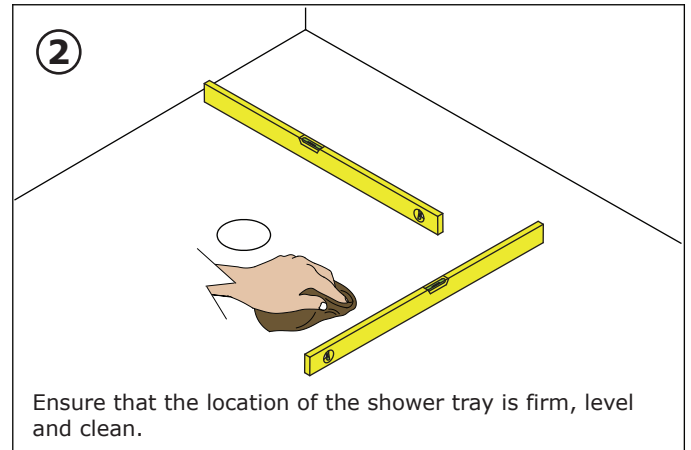
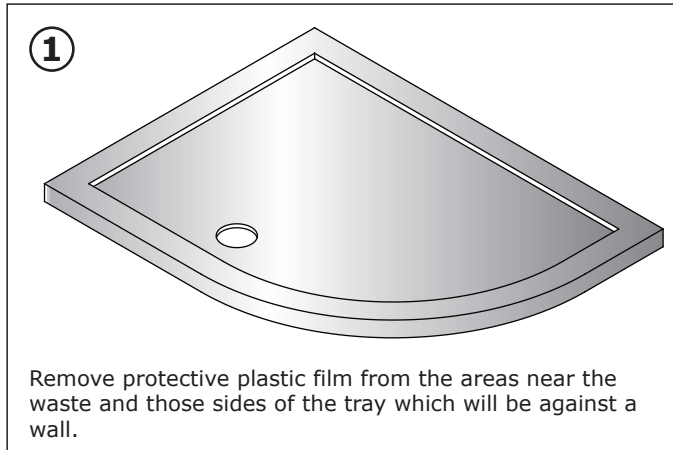
1200mm x 800mm x 35mm

1200mm x 900mm x 35mm



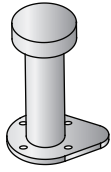
### ON FLOOR INSTALLATION

Failure to follow instructions correctly may lead to the acrylic cap separating from the body of the tray.



# RAISED INSTALLATION - Panel Pack E

## Parts Supplied:



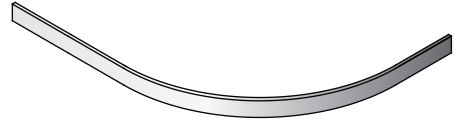
11x



M4\*14mm  
44x

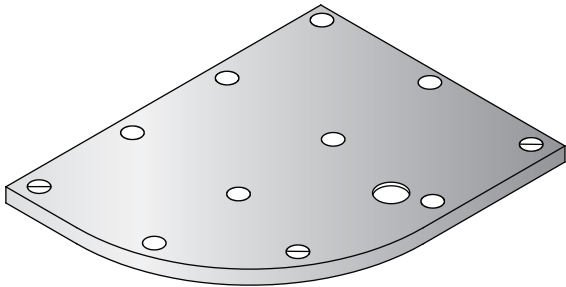


4x



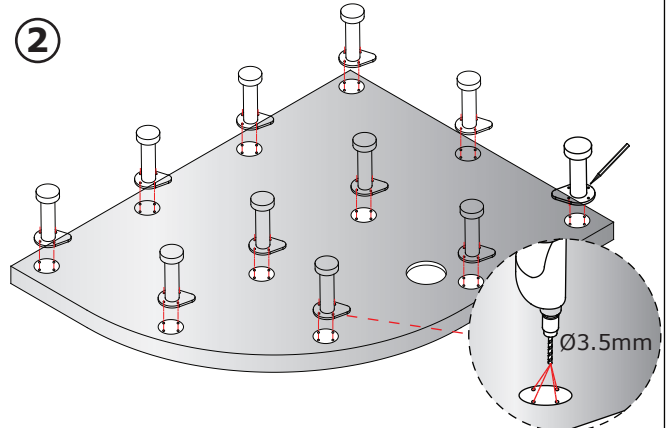
1x

1



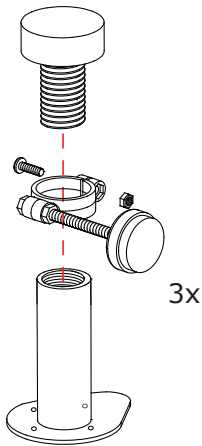
Turn the tray over and use the cardboard packaging as a protective mat. Note the circles that have been marked to indicate feet position. The symbol ⊖ indicates where you should fix the feet with the panel fixing rod.

2



Using the appropriate foot as a guide mark with a pencil the fixing hole positions, and then using a 3.5 diameter bit drill to a maximum depth of 5mm. DO NOT OVER DRILL PAST THE 5MM DEPTH.

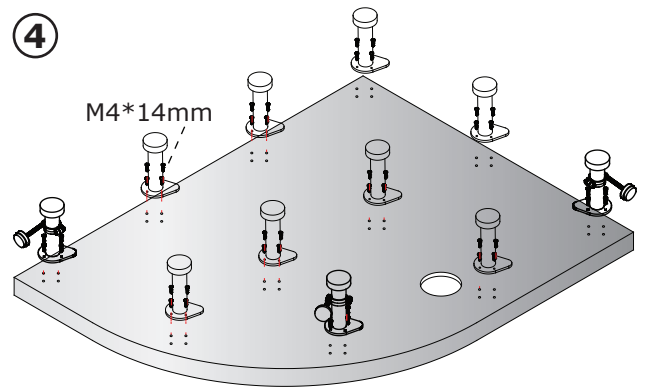
3



3x

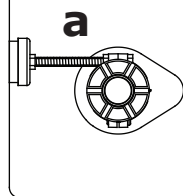
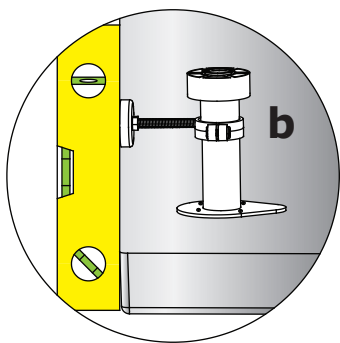
Assemble the panel fixing rods to the feet.

4



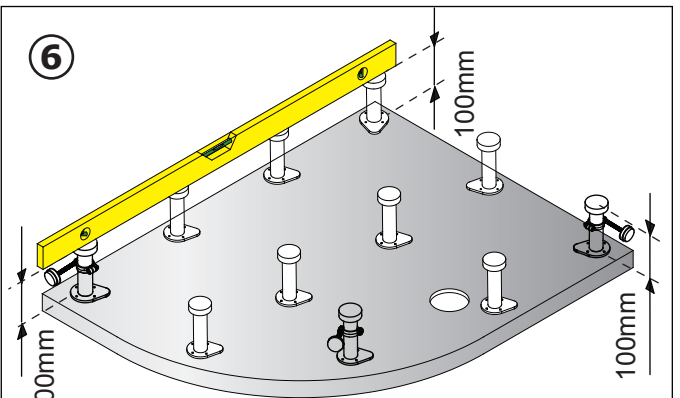
Screw the feet in position with the screws provided. Ensure that the feet that have panel fixing rod attached, are placed around the curved edge where the panels will meet.

5



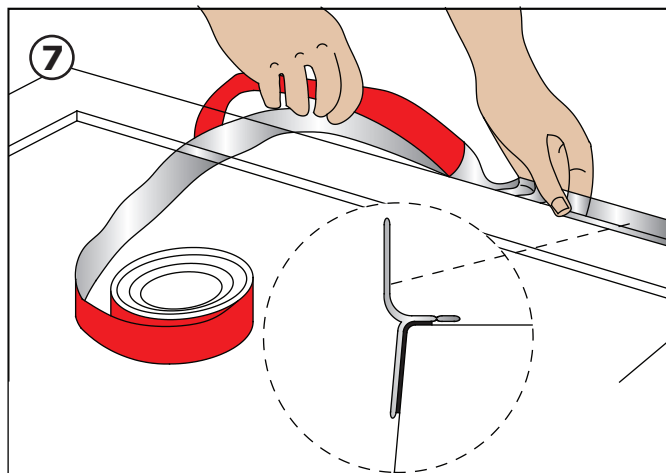
**a:** Ensure the panel fixing rod is located at 90° to the edge of the tray as shown above.  
**b:** Ensure the face of the panel fixing rod is lined up with outside edge of the tray as shown above.

6

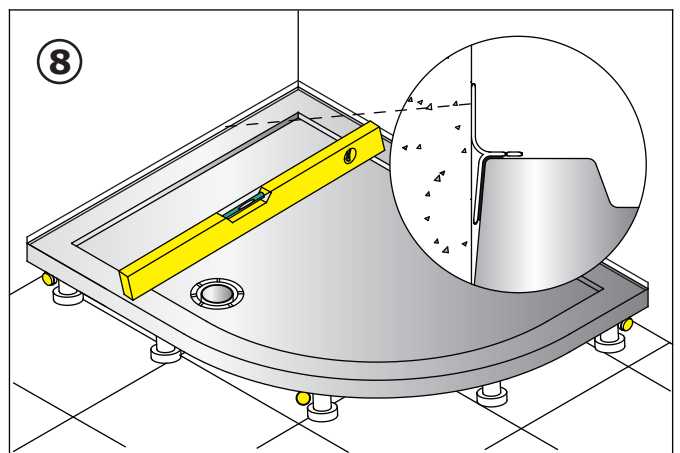


When all of the feet have been fitted, the feet in the corner positions should be adjusted to 100mm.

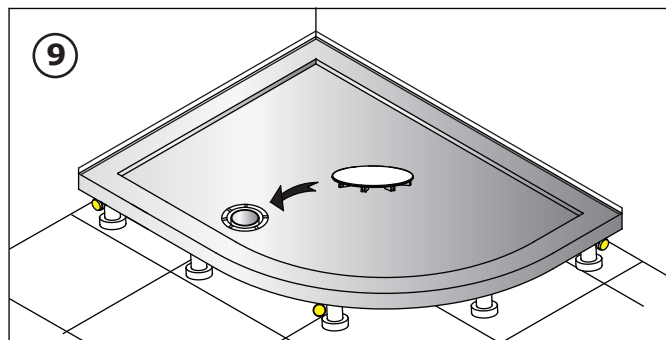
## RAISED INSTALLATION



Turn the tray over and fit the shower tray waste. It is recommended that the 'easyseal' water sealing strip should be installed at the sides against wall. For the detailed installation method, please refer to the "Waterproof Sealing strip instruction".

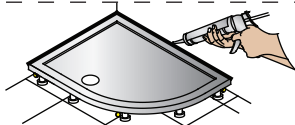


Ensure the 'easyseal' water sealing strip is flat to the wall. Place the tray into position and level both ways using the legs. After the tray has been levelled adjust all the inner feet to stabilise the tray. When level fix these legs to the floor with silicon sealant or 'no more nails' type adhesive.

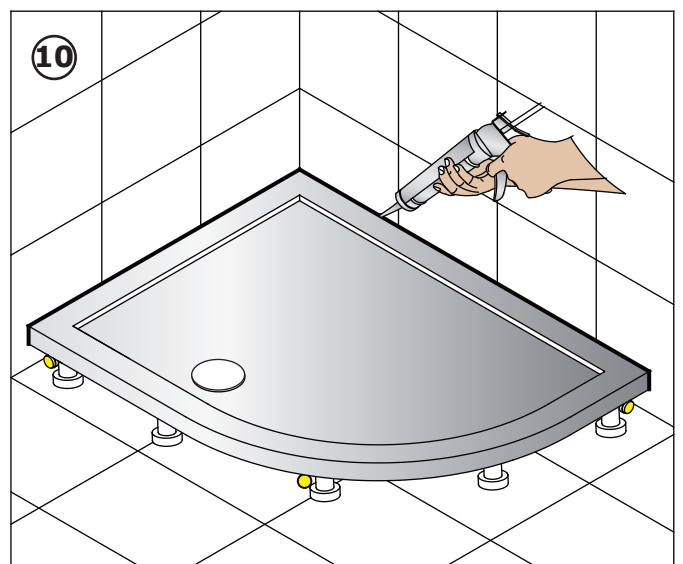


When shower tray is set remove the remainder of the protective plastic film and connect the waste pipe and check for leakage and water drainage.

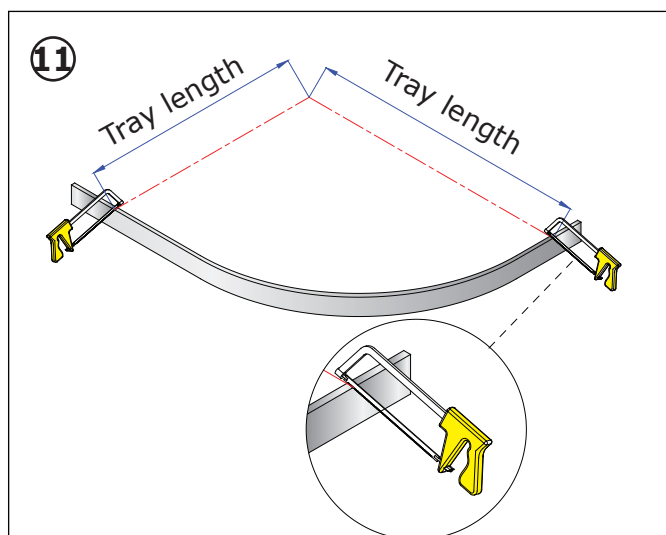
### Option:



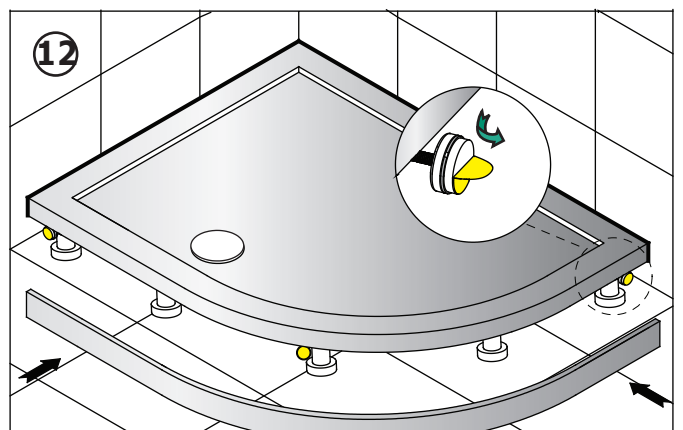
\* If the 'easyseal' water sealing strip is not installed, please seal joints between tray and wall with an anti fungal silicone sealant and allow to set.



Tile the wall and seal joints with an anti fungal silicone sealant and allow to set.

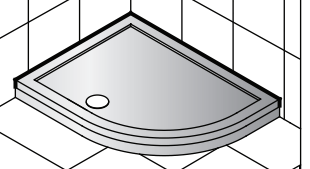


Mark the length of panel required for both edges and cut with a junior or standard hacksaw.



### After Installation

Remove the protective cover from the adhesive tape. Fix the panel pushing it firmly on to the adhesive pads.



# Shower Tray - Installation

## Important

- Please read instructions carefully before starting the installation procedure.
- We advise that the shower tray should be installed by a qualified Plumber or Engineer.
- It is recommended that the shower tray is installed before tiling. This ensures that the tray is rebated into the plaster behind where the tile face will be, and will help to achieve a watertight joint.
- With a rebate or partial rebate the amount of adjustment on the shower screen could be affected. Therefore make sure that the shower enclosure to be fitted has sufficient adjustment to fit with the shower tray in rebate or partial rebate.
- Please pass this document to the householder for future reference.

**This shower tray is manufactured without anti-slip,**

**we recommend the use of a grab rail situated above the shower tray.**

## Procedures – Please read each point, and review the diagram on reverse side first.

1. Remove the protective film from the waste area and the sides of the tray only. Leave the film intact on the main surface of the tray.
2. Position the shower tray in desired location to check that the tray waste hole, and the shower trap and any drainage pipe work is in uniform position.
3. Place the shower waste trap in position, and connect it to the waste pipe. Position the shower waste trap so that it will align with the shower tray waste hole. Seal the joint between the shower waste and the shower tray with silicone sealant.
4. Ensure that the floor is clean, dry, firm, and level. If positioning the shower tray on a relatively level wooden/concrete floor, use sand/cement (ratio 5:1) or a tile based adhesive to the base for fixing of the tray. If the floor is a rough but relatively level concrete floor it is suggested the installer should use a purpose made floor screed to smooth the area beforehand.
5. Reposition the shower tray in desired location and ensure that it is level on all sides. Pack up accordingly and connect the waste trap.
6. The tray **must** be level on all sides to ensure consistent drainage. The main surface of the shower tray has built in fall to allow for drainage. Please check the ledges of the tray with a spirit level.
7. Seal the joint between the shower tray, and adjoining wall with silicone sealant to provide first seal.
8. The area is now ready for tiling, and then further application of silicone sealant for second seal.
9. Once tiled area has cured then installation of shower screen can be installed.
10. Only remove the remainder of protective film from the main surface of the shower tray, after the shower screen has been completely installed.

## After Care

Providing the shower tray has been correctly installed, difficulties should not be encountered. If any maintenance is required then it must be carried out by a qualified Plumber or Engineer.

It is advised that the shower tray is cleaned regularly, to remove any insoluble products. Hot soapy water should be used and then the tray should be wiped. Cleaners of gritty or abrasive nature should never be used.

The acrylic surface of this shower tray has good resistance properties to acids but should not come into contact with alkalis or organic solvents, such as caustic soda, dry cleaning agents and paint strippers.

# Shower Tray - Installation

