

PRODUCT DATA SHEET

BRITTON®



PRODUCT CODE

HOX0370WF

RANGE

Hoxton 2.0

DESCRIPTION

Hoxton 2.0 Bath Spout Brushed Brass

CATEGORY	Brassware
WARRANTY DETAILS	15 Years
COLOUR	Brushed Brass
FINISH APPLICATION	PVD
PRIMARY MATERIAL	Brass
INSTALL TYPE	Wall Mounted
PRODUCT WIDTH MM	60
PRODUCT HEIGHT MM	60
PRODUCT NET WEIGHT KG	1
STANDARDS	BS EN 200:2008, BS EN 817:2008

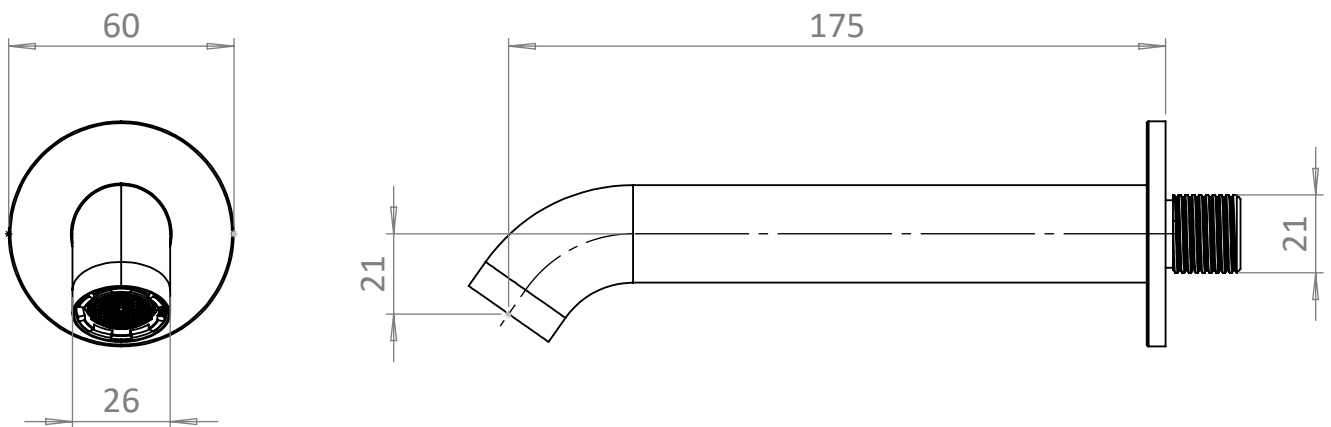
MINIMUM PRESSURE (BAR)	1
MAX WORKING PRESSURE (BAR)	5
NUMBER OF OUTLETS	1
NUMBER OF FUNCTIONS	1
SPOUT PROJECTION	175
SWIVEL SPOUT	No
INLET CONNECTIONS THREAD	G3/4"
OUTLET CONNECTIONS THREAD	M24x1
FLOW REGULATOR	Neoperl Honeycomb Aerator
WASTE INCLUDED	No
ANTI-SCALD	No
ENERGY SAVING	No
SHOWER HOSE & HANDSET ARE INCLUDED	No

PRESSURE (BAR)	0.2	0.5	1	2	3	4	5
PRIMARY FLOWRATE			9.972	14.684	18.355	21.563	24.431
HANDSET FLOWRATE							
MASSAGE FLOW RATE							
AIR FLOW RATE							
WIRE FLOW RATE							
WATERFALL FLOW RATE							
MIST FLOW RATE							
HANDSPRAY FLOW RATE							

TECHNICAL DIMENSIONS

Dimensions in mm unless otherwise specified.

Tolerances (per material type) apply.



SPARES LIST

Only the parts labelled are available as spares.

SPARES AVAILABLE UPON REQUEST