

PRODUCT DATA SHEET

BRITTON[®]



PRODUCT CODE

SHR059

RANGE

Shoreditch

DESCRIPTION

Shoreditch Oblong Mirror 400x600 LED

WEBSITE LINK [Click Here](#)

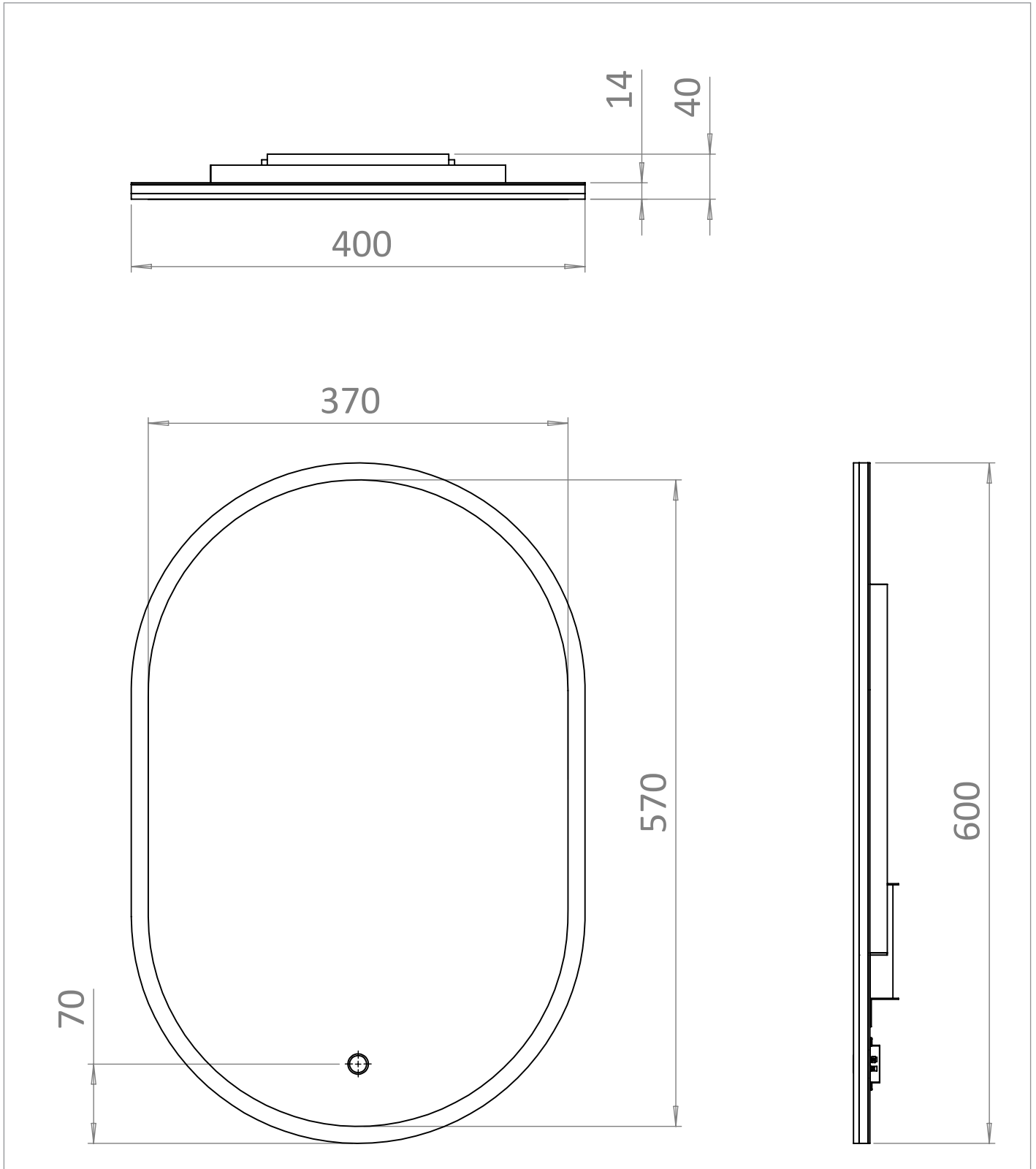
CATEGORY	Cabinets & Mirrors
WARRANTY DETAILS	5 Years
PRIMARY MATERIAL	Glass
INSTALL TYPE	Wall Mounted
PRODUCT WIDTH MM	400
PRODUCT HEIGHT MM	600
PRODUCT LENGTH MM	30
PRODUCT NET WEIGHT KG	3.2
STANDARDS	EN60598,EN60529,EN62576

HANDING MIRROR & CABINETS	Portrait Only
TEMPERATURE CHANGING	Yes
SHELVES ADJUSTABLE	No
SHAVER SOCKET INCLUDED	No
CABLE LENGTH (MM)	1050
COLOUR RANGE (K)	2700-6400K
LUMINOUS EFFICACY (LM/W)	95
COLOUR RENDERING INDEX (RA)	85
ENERGY RATING	E
SWITCH TYPE	Touch switch
DIMMABLE	No
LIGHT TYPE	LED
LED WATTAGE	5.4W
DRIVER WATTAGE	15W
DE-MISTER WATTAGE	10W

TECHNICAL DIMENSIONS

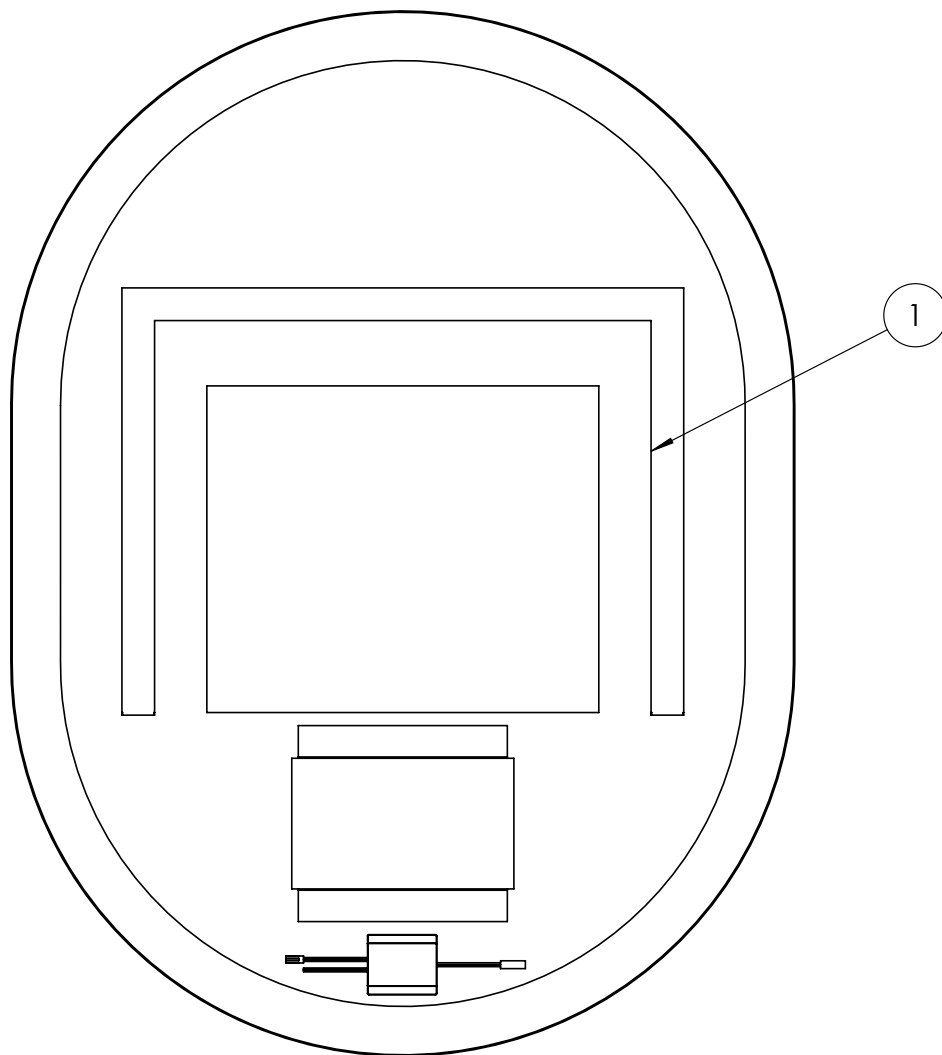
Dimensions in mm unless otherwise specified.

Tolerances (per material type) apply.



SPARES LIST

Only the parts labelled are available as spares.



NUMBER	PART CODE	DESCRIPTION
1	MIRRORFIX	Fix Screw Pack Keyhole Mirror Fix