

# PRODUCT DATA SHEET

# BRITTON<sup>®</sup>



## PRODUCT CODE

HOX110DNF

## RANGE

Hoxton 2.0


## DESCRIPTION

Hoxton 2.0 Slim Basin Mixer Brushed Brass

CATEGORY	Brassware
WARRANTY DETAILS	15 Years
COLOUR	Brushed Brass
FINISH APPLICATION	PVD
PRIMARY MATERIAL	Brass
INSTALL TYPE	Deck Mounted
PRODUCT WIDTH MM	50
PRODUCT HEIGHT MM	152
PRODUCT DEPTH MM	160
PRODUCT NET WEIGHT KG	0.7
MINIMUM PRESSURE (BAR)	0.5
MAX WORKING PRESSURE (BAR)	5

STANDARDS	BS EN 200:2008, BS EN 817:2008
NUMBER OF OUTLETS	1
NUMBER OF FUNCTIONS	1
HEADWORK	25mm Single lever ceramic cartridge
SPOUT PROJECTION	127
SWIVEL SPOUT	No
INLET CONNECTIONS THREAD	G1/2"
OUTLET CONNECTIONS THREAD	M16.5x1
FLOW REGULATOR	Flow straightener & Aerator Caché Honeycomb
WASTE INCLUDED	No
ANTI-SCALD	No
ENERGY SAVING	Yes
SHOWER HOSE & HANDSET ARE INCLUDED	No

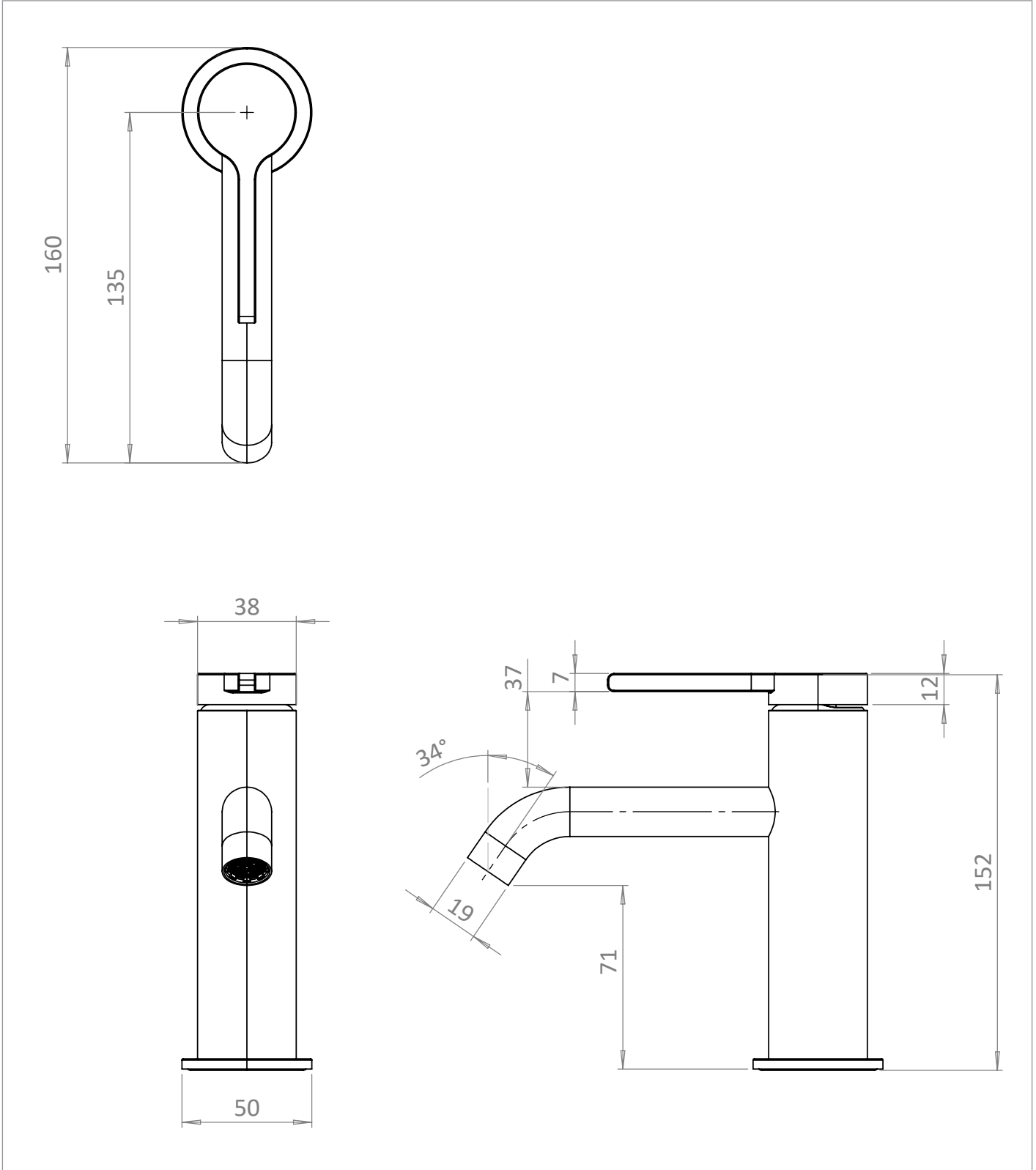
PRESSURE (BAR)	0.2	0.5	1	2	3	4	5
PRIMARY FLOWRATE		2.922	4.097	5.192	5.166	5.06	4.926
HANDSET FLOWRATE							
MASSAGE FLOW RATE							
AIR FLOW RATE							
WIRE FLOW RATE							
WATERFALL FLOW RATE							
MIST FLOW RATE							
HANDSPRAY FLOW RATE							

 Part of the Bathroom Brands Group

**TECHNICAL DIMENSIONS**

Dimensions in mm unless otherwise specified.

Tolerances (per material type) apply.



## SPARES LIST

Only the parts labelled are available as spares.

SPARES AVAILABLE UPON REQUEST