

# PRODUCT DATA SHEET

# BRITTON<sup>®</sup>



## PRODUCT CODE

HK9100TCM

## RANGE

Hackney

## DESCRIPTION

Hackney Worktop 900 Carrara

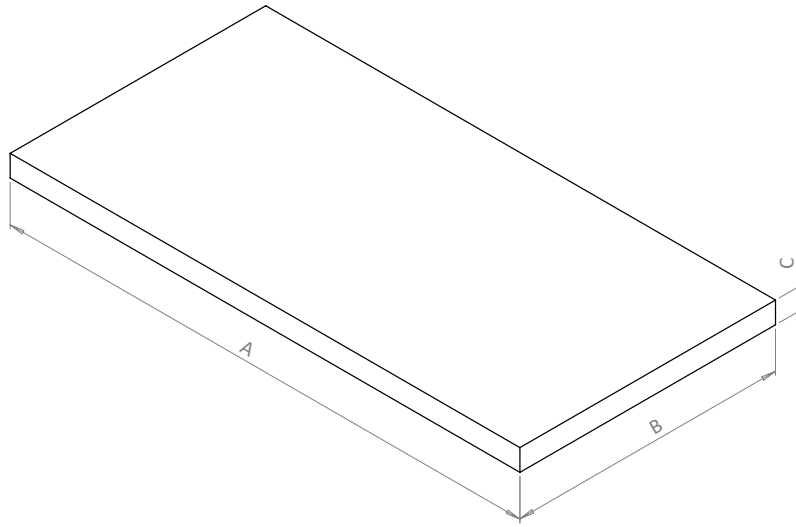
CATEGORY	Furniture
WARRANTY DETAILS	10 Years
COLOUR	Carrara
PRIMARY MATERIAL	Composite Board
INSTALL TYPE	Furniture Mounted
PRODUCT WIDTH MM	390
PRODUCT HEIGHT MM	16
PRODUCT LENGTH MM	910
PRODUCT NET WEIGHT KG	7.8

DRAWER BOX	Board laminated
WALL HANGERS	No

## TECHNICAL DIMENSIONS

Dimensions in mm unless otherwise specified.

Tolerances (per material type) apply.



CODE	DESCRIPTION	FINISH	A (mm)	B (mm)	C (mm)	WEIGHT
HK5100TCM	Hackney 500 Worktop	Carrara	510	390	16	3.8 kg
HK5100TMQ	Hackney 500 Worktop	Marquina	510	390	16	3.8 kg
HK6100TCM	Hackney 600 Worktop	Carrara	610	390	16	4.8 kg
HK6100TMQ	Hackney 600 Worktop	Marquina	610	390	16	4.8 kg
HK7100TCM	Hackney 700 Worktop	Carrara	710	390	16	5.8 kg
HK7100TMQ	Hackney 700 Worktop	Marquina	710	390	16	5.8 kg
HK8100TCM	Hackney 800 Worktop	Carrara	810	390	16	6.8 kg
HK8100TMQ	Hackney 800 Worktop	Marquina	810	390	16	6.8 kg
HK9100TCM	Hackney 900 Worktop	Carrara	910	390	16	7.8 kg
HK9100TMQ	Hackney 900 Worktop	Marquina	910	390	16	7.8 kg
HK1010TCM	Hackney 1000 Worktop	Carrara	1010	390	16	8.8 kg
HK1010TMQ	Hackney 1000 Worktop	Marquina	1010	390	16	8.8 kg
HK1110TCM	Hackney 1100 Worktop	Carrara	1110	390	16	9.8 kg
HK1110TMQ	Hackney 1100 Worktop	Marquina	1110	390	16	9.8 kg
HK1210TCM	Hackney 1200 Worktop	Carrara	1210	390	16	10.8 kg
HK1210TMQ	Hackney 1200 Worktop	Marquina	1210	390	16	10.8 kg

## SPARES LIST

Only the parts labelled are available as spares.

--