

PRODUCT DATA SHEET

BRITTON®



PRODUCT CODE

HOX120WNF

RANGE

Hoxton 2.0

DESCRIPTION

Hoxton 2.0 2 Hole Wall Basin Mixer
Brushed Brass

CATEGORY	Brassware
WARRANTY DETAILS	15 Years
COLOUR	Brushed Brass
FINISH APPLICATION	PVD
PRIMARY MATERIAL	Brass
INSTALL TYPE	Wall Mounted
PRODUCT WIDTH MM	162
PRODUCT HEIGHT MM	115
PRODUCT NET WEIGHT KG	1
STANDARDS	BS EN 200:2008, BS EN 817:2008

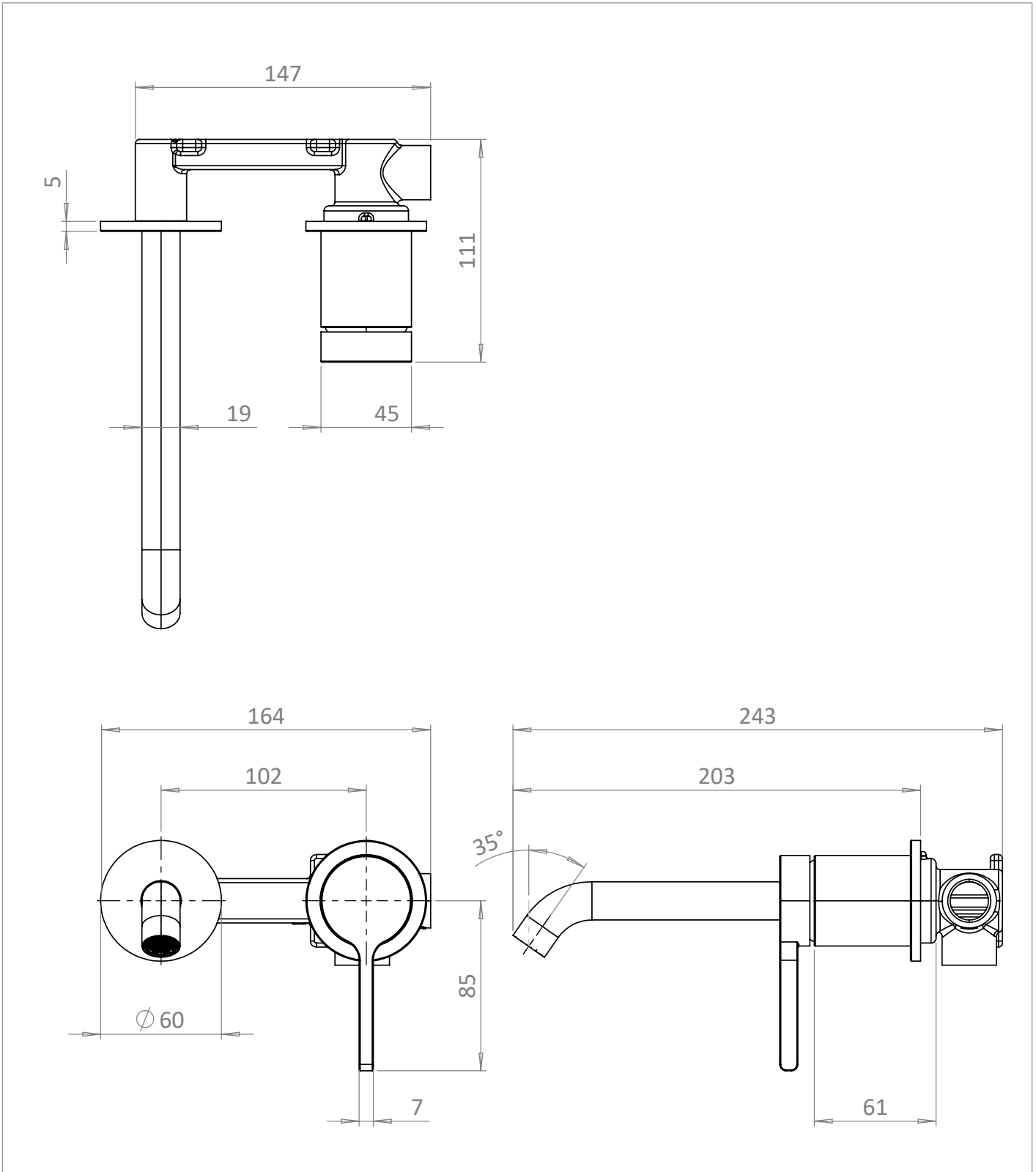
MINIMUM PRESSURE (BAR)	0.5
MAX WORKING PRESSURE (BAR)	5
NUMBER OF OUTLETS	1
NUMBER OF FUNCTIONS	1
HEADWORK	35mm Single lever ceramic cartridge
SPOUT PROJECTION	175-195
SWIVEL SPOUT	No
INLET CONNECTIONS THREAD	G1/2"
OUTLET CONNECTIONS THREAD	M16.5x1
FLOW REGULATOR	Flow straightener & Aerator Caché Honeycomb
WASTE INCLUDED	No
ANTI-SCALD	No
ENERGY SAVING	Yes
SHOWER HOSE & HANDSET ARE INCLUDED	No

PRESSURE (BAR)	0.2	0.5	1	2	3	4	5
PRIMARY FLOWRATE		3.311	4.52	4.888	4.755	4.626	4.752
HANDSET FLOWRATE							
MESSAGE FLOW RATE							
AIR FLOW RATE							
WIRE FLOW RATE							
WATERFALL FLOW RATE							
MIST FLOW RATE							
HANDSPRAY FLOW RATE							

TECHNICAL DIMENSIONS

Dimensions in mm unless otherwise specified.

Tolerances (per material type) apply.



SPARES LIST

Only the parts labelled are available as spares.

SPARES AVAILABLE UPON REQUEST