

PRODUCT DATA SHEET

BRITTON®



PRODUCT CODE

HOX120WNF

RANGE

Hoxton 2.0


DESCRIPTION

Hoxton 2.0 2 Hole Wall Basin Mixer
Brushed Brass

CATEGORY	Brassware
WARRANTY DETAILS	15 Years
COLOUR	Brushed Brass
FINISH APPLICATION	PVD
PRIMARY MATERIAL	Brass
INSTALL TYPE	Wall Mounted
PRODUCT WIDTH MM	162
PRODUCT HEIGHT MM	115
PRODUCT DEPTH MM	236
PRODUCT NET WEIGHT KG	0.5
MINIMUM PRESSURE (BAR)	0.5
MAX WORKING PRESSURE (BAR)	5

STANDARDS	BS EN 200:2008, BS EN 817:2008
NUMBER OF OUTLETS	1
NUMBER OF FUNCTIONS	1
HEADWORK	35mm Single lever ceramic cartridge
SPOUT PROJECTION	175-195
SWIVEL SPOUT	No
INLET CONNECTIONS THREAD	G1/2"
OUTLET CONNECTIONS THREAD	M16.5x1
FLOW REGULATOR	Flow straightener & Aerator Caché Honeycomb
WASTE INCLUDED	No
ANTI-SCALD	No
ENERGY SAVING	Yes
SHOWER HOSE & HANDSET ARE INCLUDED	No

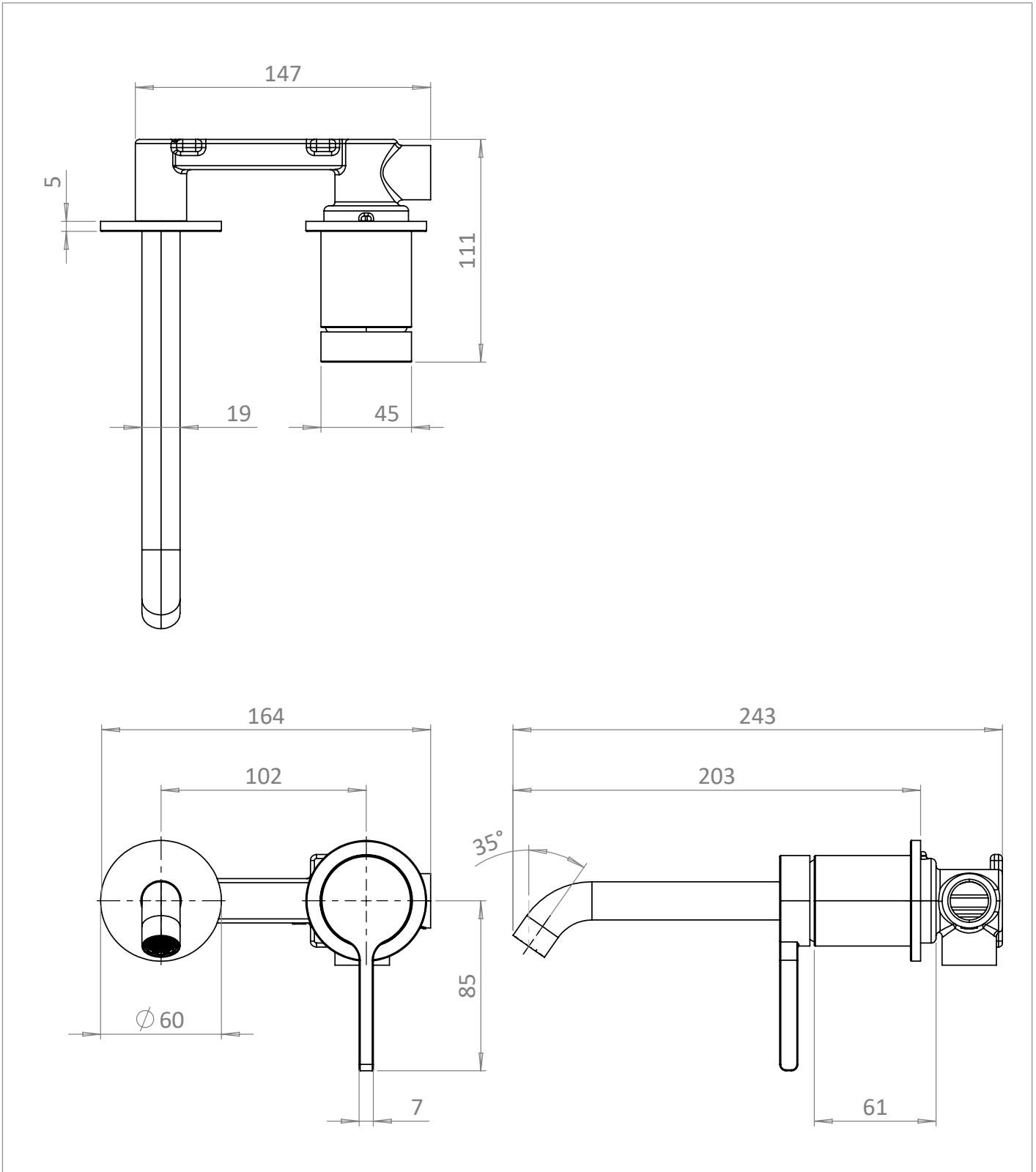
PRESSURE (BAR)	0.2	0.5	1	2	3	4	5
PRIMARY FLOWRATE		3.311	4.52	4.888	4.755	4.626	4.752
HANDSET FLOWRATE							
MASSAGE FLOW RATE							
AIR FLOW RATE							
WIRE FLOW RATE							
WATERFALL FLOW RATE							
MIST FLOW RATE							
HANDSPRAY FLOW RATE							

 Part of the
Bathroom Brands Group

TECHNICAL DIMENSIONS

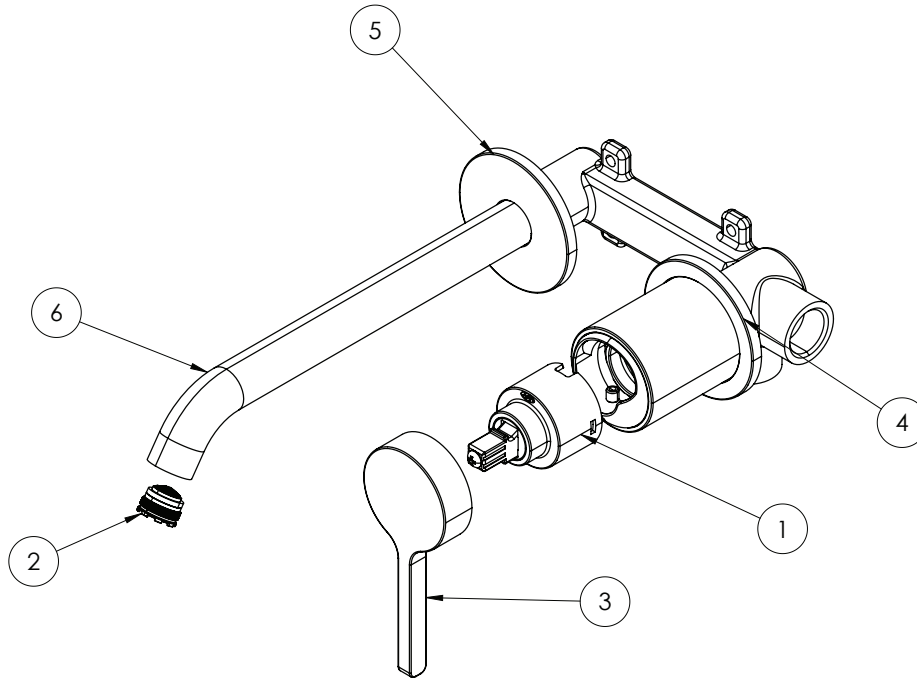
Dimensions in mm unless otherwise specified.

Tolerances (per material type) apply.



SPARES LIST

Only the parts labelled are available as spares.



NUMBER	PART CODE	DESCRIPTION
1	SP1917	Cartridge for HOX120 all finishes
2	SP1923	Aerator for HOX110, HOX112, HOX120 all finishes
3	SP1929C	Handle for HOX120WNC in chrome
	SP1929F	Handle for HOX120WNF in brushed brass
	SP1929M	Handle for HOX120WNM in matt black
4	SP1931C	Wall Plate Control for HOX120WNC in chrome
	SP1931F	Wall Plate Control for HOX120WNF in brushed brass
	SP1931M	Wall Plate Control for HOX120WNM in matt black
5	SP1932C	Wall Plate Spout for HOX120WNC in chrome
	SP1932F	Wall Plate Spout for HOX120WNF in brushed brass
	SP1932M	Wall Plate Spout for HOX120WNM in matt black
6	SP1933C	Spout for HOX120WNC in chrome
	SP1933F	Spout for HOX120WNF in brushed brass
	SP1933M	Spout for HOX120WNM in matt black