

PRODUCT DATA SHEET

BRITTON®



PRODUCT CODE

BR_BTR0402F

RANGE

Bottle Trap

DESCRIPTION

Bottle Trap Brushed Brass

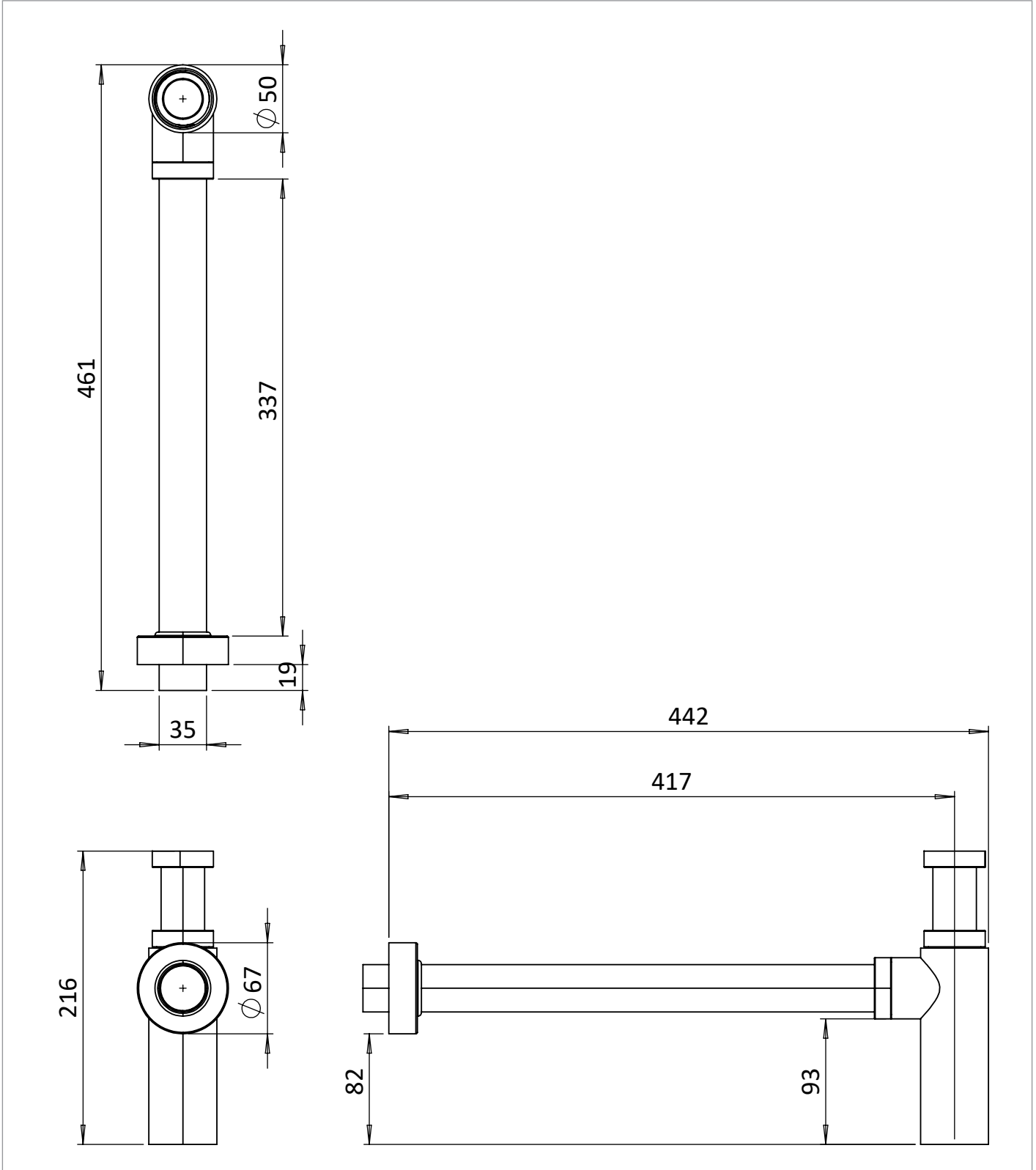
CATEGORY	Brassware
WARRANTY DETAILS	15 Years
COLOUR	Brushed Brass
FINISH APPLICATION	PVD
PRIMARY MATERIAL	Brass
INSTALL TYPE	Basin Mounted
PRODUCT WIDTH MM	70
PRODUCT HEIGHT MM	184
PRODUCT LENGTH MM	450
PRODUCT NET WEIGHT KG	0.62

OUTLET CONNECTIONS THREAD WASTE/TRAP	35mm diameter
---	---------------

TECHNICAL DIMENSIONS

Dimensions in mm unless otherwise specified.

Tolerances (per material type) apply.



SPARES LIST

Only the parts labelled are available as spares.

--