

# PRODUCT DATA SHEET

# BRITTON®



## PRODUCT CODE

BR\_BTR0402F

## RANGE

Bottle Trap


## DESCRIPTION

Bottle Trap Brushed Brass

CATEGORY	Brassware
WARRANTY DETAILS	15 Years
COLOUR	Brushed Brass
FINISH APPLICATION	PVD
PRIMARY MATERIAL	Brass
INSTALL TYPE	Basin Mounted
PRODUCT WIDTH MM	70
PRODUCT HEIGHT MM	184
PRODUCT LENGTH MM	450
PRODUCT NET WEIGHT KG	0.62

OUTLET CONNECTIONS THREAD	35mm diameter
WASTE/TRAP	

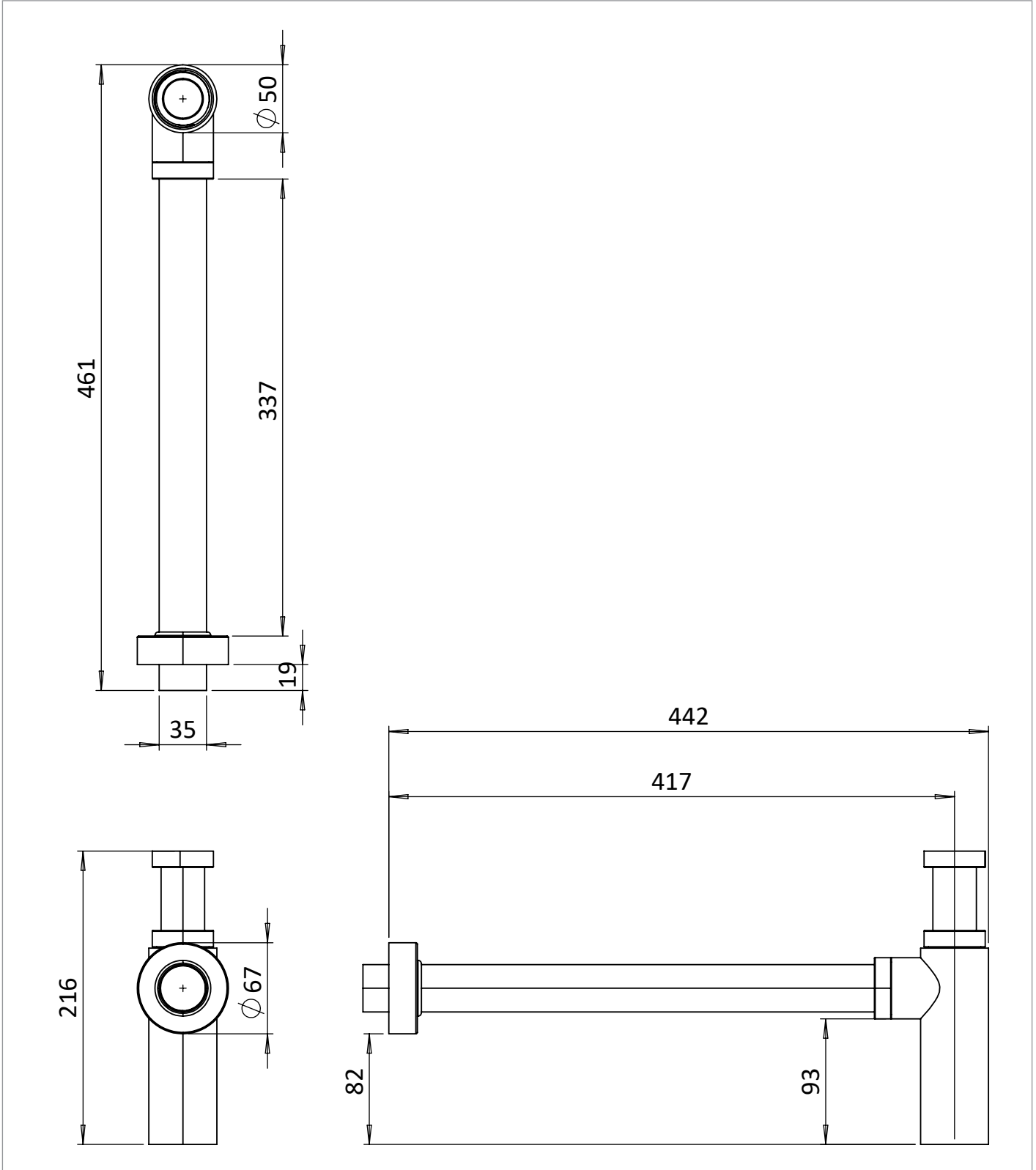
PRESSURE (BAR)	0.2	0.5	1	2	3	4	5
PRIMARY FLOWRATE							
HANDSET FLOWRATE							
MASSAGE FLOW RATE							
AIR FLOW RATE							
WIRE FLOW RATE							
WATERFALL FLOW RATE							
MIST FLOW RATE							
HANDSPRAY FLOW RATE							

 Part of the Bathroom Brands Group

**TECHNICAL DIMENSIONS**

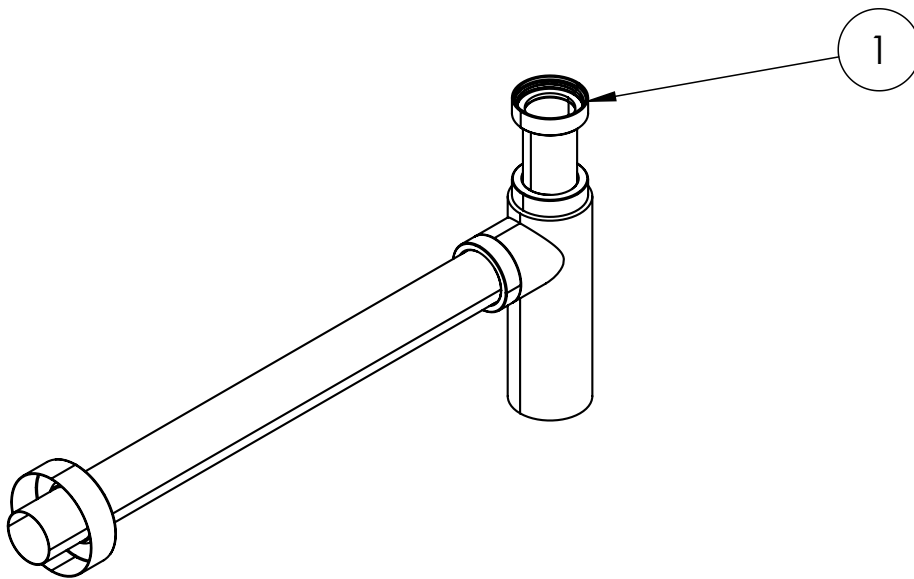
Dimensions in mm unless otherwise specified.

Tolerances (per material type) apply.



**SPARES LIST**

Only the parts labelled are available as spares.



NUMBER	PART CODE	DESCRIPTION
1	PRO0402M+WASHER	UNIVERSAL WASHER FOR ALL 0402 BOTTLE TRAPS