

PRODUCT DATA SHEET

BRITTON®



PRODUCT CODE

HOX422DF

RANGE

Hoxton 2.0

DESCRIPTION

Hoxton 2.0 Bath Shower Mixer 2TH
Brushed Brass

CATEGORY	Brassware
WARRANTY DETAILS	15 Years
COLOUR	Brushed Brass
FINISH APPLICATION	PVD
PRIMARY MATERIAL	Brass
INSTALL TYPE	Deck Mounted
PRODUCT WIDTH MM	298
PRODUCT HEIGHT MM	170
PRODUCT NET WEIGHT KG	1
STANDARDS	BS EN 200:2008, BS EN 817:2008

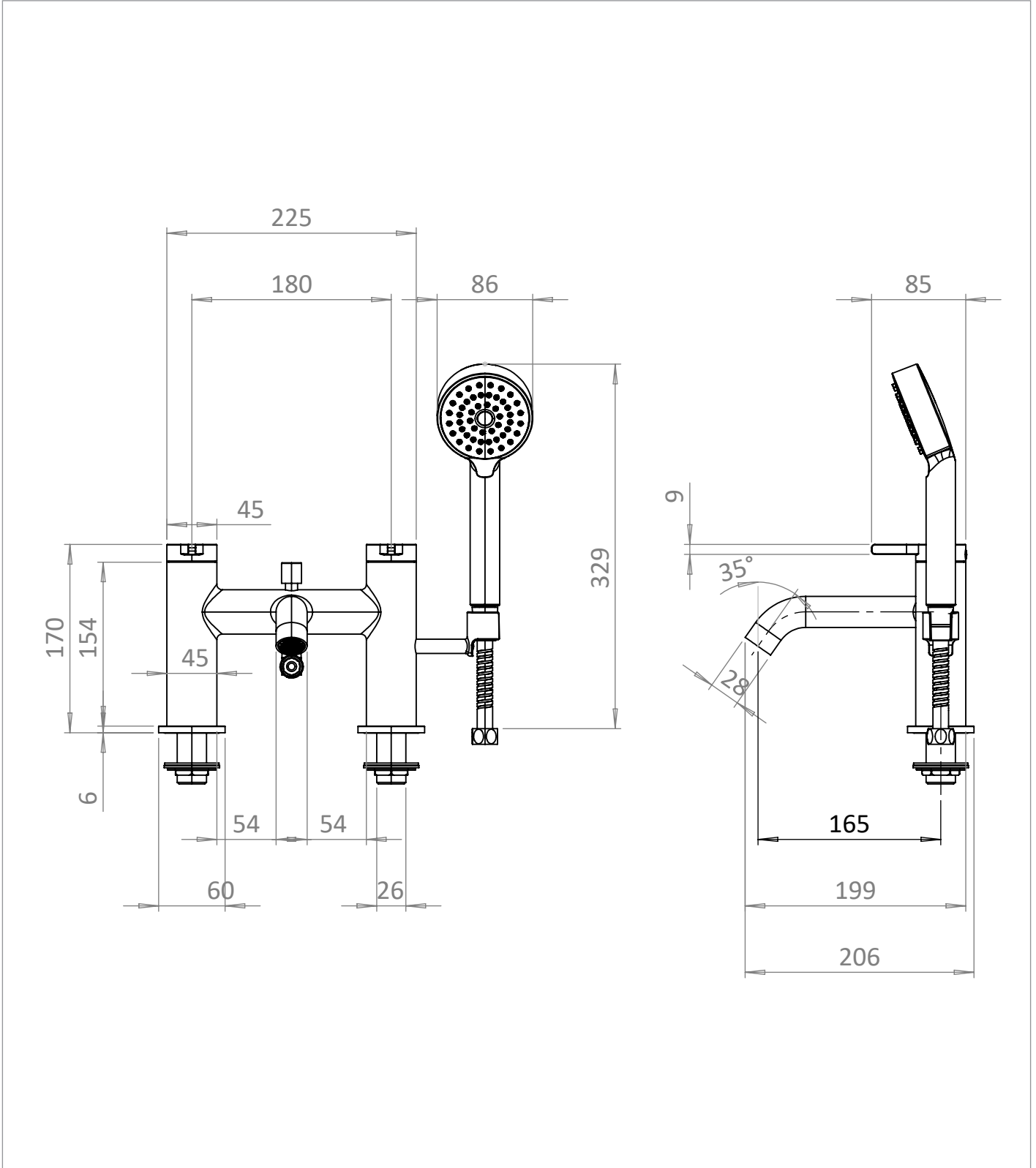
MINIMUM PRESSURE (BAR)	1
MAX WORKING PRESSURE (BAR)	5
NUMBER OF OUTLETS	2
NUMBER OF FUNCTIONS	2
HEADWORK	3/4" Quarter turn ceramic cartridge
SPOUT PROJECTION	165
SWIVEL SPOUT	No
INLET CONNECTIONS THREAD	G3/4"
OUTLET CONNECTIONS THREAD	M24x1
FLOW REGULATOR	Neoperl Honeycomb Aerator
WASTE INCLUDED	No
ANTI-SCALD	No
ENERGY SAVING	No
SHOWER HOSE & HANDSET ARE INCLUDED	Yes

PRESSURE (BAR)	0.2	0.5	1	2	3	4	5
PRIMARY FLOWRATE			9.328	15.428	20.516	24.608	26.911
HANDSET FLOWRATE			6.923	10.055	12.613	14.867	16.835
MASSAGE FLOW RATE							
AIR FLOW RATE							
WIRE FLOW RATE							
WATERFALL FLOW RATE							
MIST FLOW RATE							
HANDSPRAY FLOW RATE							

TECHNICAL DIMENSIONS

Dimensions in mm unless otherwise specified.

Tolerances (per material type) apply.



SPARES LIST

Only the parts labelled are available as spares.

SPARES AVAILABLE UPON REQUEST