

PRODUCT DATA SHEET

BRITTON[®]



PRODUCT CODE

HOX001F

RANGE

Hoxton 2.0

DESCRIPTION

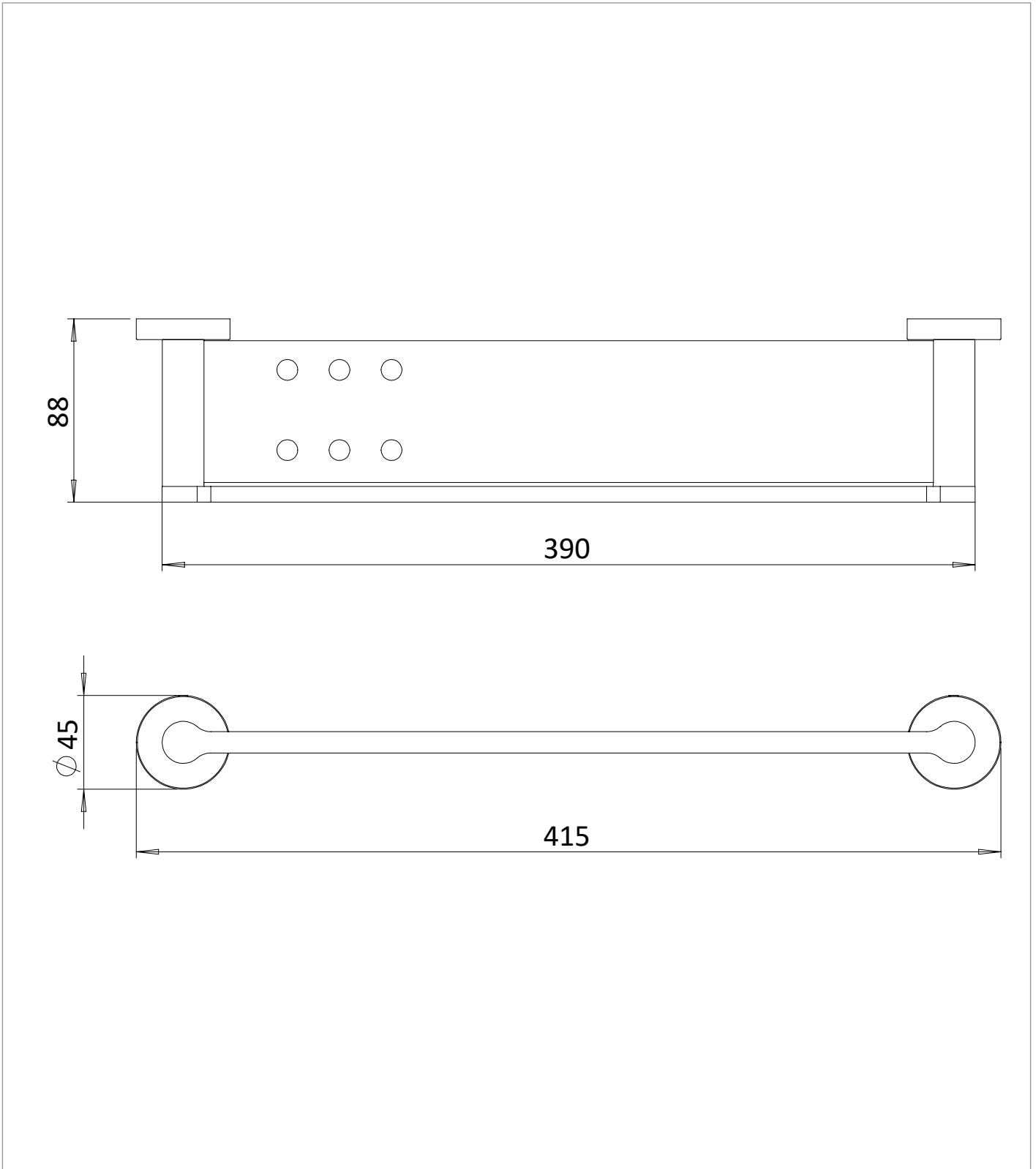
Hoxton 2.0 Shelf Brushed Brass

CATEGORY	Brassware
WARRANTY DETAILS	15 Years
COLOUR	Brushed Brass
FINISH APPLICATION	PVD
PRIMARY MATERIAL	Brass
SECONDARY MATERIAL	304 Stainless Steel
INSTALL TYPE	Wall Mounted
PRODUCT WIDTH MM	415
PRODUCT HEIGHT MM	45
PRODUCT DEPTH MM	88

TECHNICAL DIMENSIONS

Dimensions in mm unless otherwise specified.

Tolerances (per material type) apply.



SPARES LIST

Only the parts labelled are available as spares.

SPARES AVAILABLE UPON REQUEST