

# PRODUCT DATA SHEET

# BRITTON®



## PRODUCT CODE

BR\_BSW0290F

## RANGE

Basin Waste


## DESCRIPTION

Universal Standard Click Clack Basin Waste Brushed Brass

CATEGORY	Brassware
WARRANTY DETAILS	2 Years
COLOUR	Brushed Brass
FINISH APPLICATION	PVD
PRIMARY MATERIAL	Brass
INSTALL TYPE	Basin Mounted
PRODUCT WIDTH MM	63
PRODUCT HEIGHT MM	99.5
PRODUCT NET WEIGHT KG	0.37

OUTLET CONNECTIONS THREAD WASTE/TRAP	G1/2"
WASTE WATER FLOW RATE	0.6
ADJUSTMENT (MIN - MAX)	70

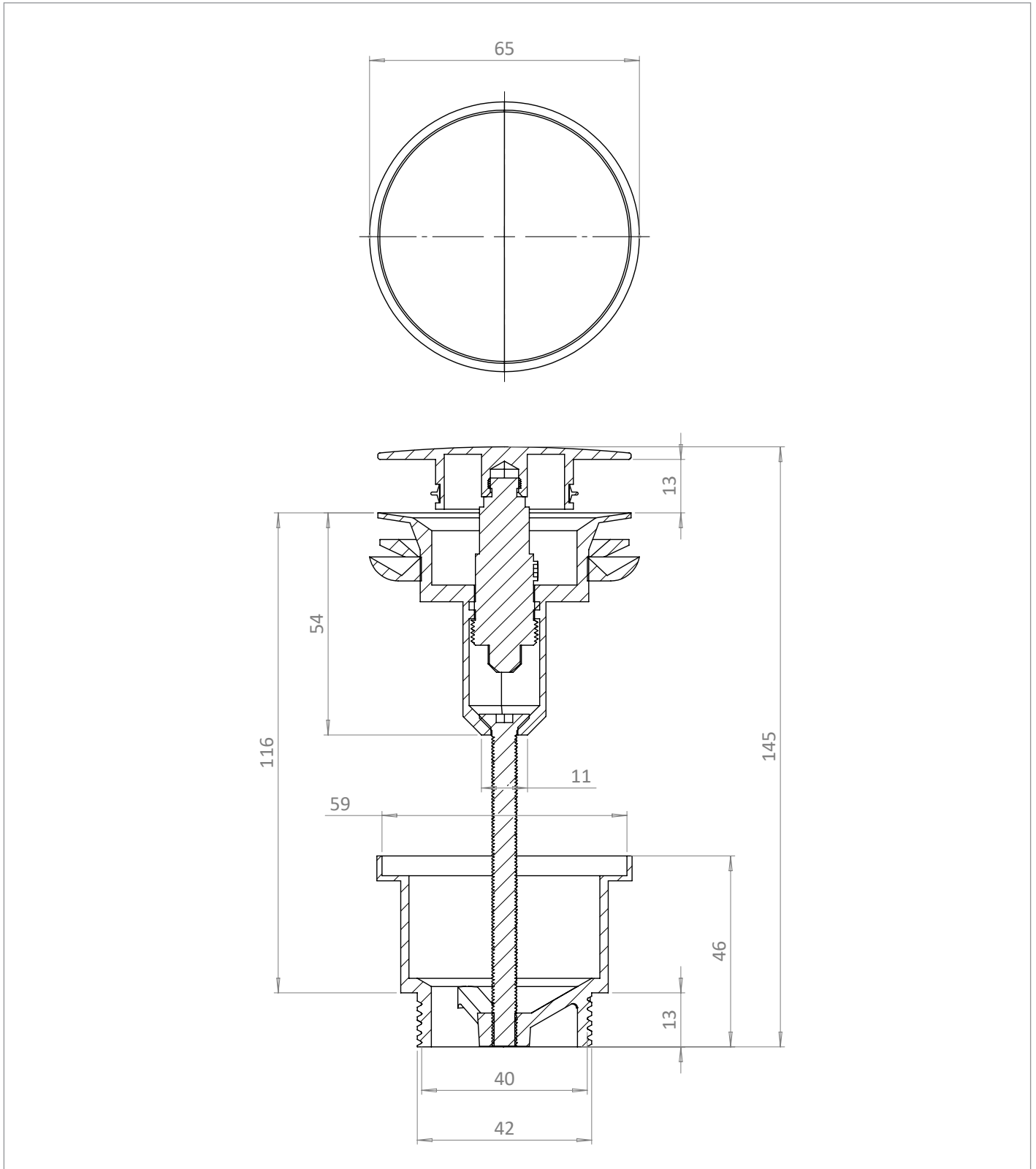
PRESSURE (BAR)	0.2	0.5	1	2	3	4	5
PRIMARY FLOWRATE							
HANDSET FLOWRATE							
MESSAGE FLOW RATE							
AIR FLOW RATE							
WIRE FLOW RATE							
WATERFALL FLOW RATE							
MIST FLOW RATE							
HANDSPRAY FLOW RATE							

 Part of the Bathroom Brands Group

**TECHNICAL DIMENSIONS**

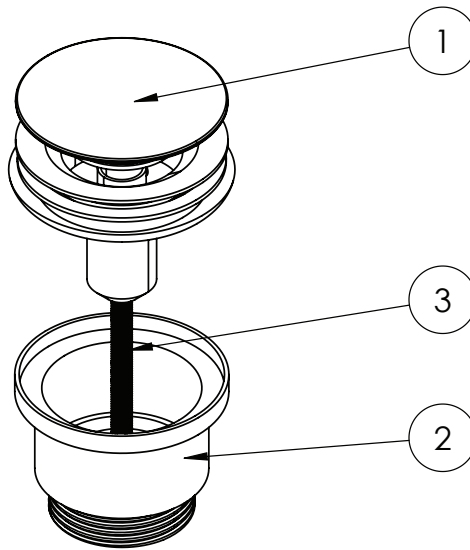
Dimensions in mm unless otherwise specified.

Tolerances (per material type) apply.



**SPARES LIST**

Only the parts labelled are available as spares.



NUMBER	PART CODE	DESCRIPTION
1	SP1910M	Waste cover in matt black finish for BSW0290M
	SP1910F	Waste cover in brushed brass finish for BSW0290F
	SP1910C	Waste cover in chrome finish for BSW0290C
2	SP1911M	Fixing nut in matt black finish for BSW0290M
	SP1911F	Fixing nut in brushed brass finish for BSW0290F
	SP1911C	Fixing nut in chrome finish for BSW0290C
3	SP1912	Fixing screw for BSW0290 all finishes