

PRODUCT DATA SHEET

BRITTON[®]



PRODUCT CODE

HOX416FF

RANGE

Hoxton 2.0


DESCRIPTION

Hoxton 2.0 Floor Standing Mono Bath Shower Mixer Brushed Brass

CATEGORY	Brassware
WARRANTY DETAILS	15 Years
COLOUR	Brushed Brass
FINISH APPLICATION	PVD
PRIMARY MATERIAL	Brass
INSTALL TYPE	Floor Standing
PRODUCT WIDTH MM	230
PRODUCT HEIGHT MM	1100
PRODUCT DEPTH MM	310
PRODUCT NET WEIGHT KG	5.5
MINIMUM PRESSURE (BAR)	1
MAX WORKING PRESSURE (BAR)	5

STANDARDS	BS EN 200:2008, BS EN 817:2008
NUMBER OF OUTLETS	2
NUMBER OF FUNCTIONS	2
HEADWORK	40mm Single lever ceramic cartridge
SPOUT PROJECTION	221
SWIVEL SPOUT	No
INLET CONNECTIONS THREAD	G3/4"
OUTLET CONNECTIONS THREAD	M24x1
FLOW REGULATOR	Neoperl Honeycomb Aerator
WASTE INCLUDED	No
ANTI-SCALD	No
ENERGY SAVING	No
SHOWER HOSE & HANDSET ARE INCLUDED	Yes

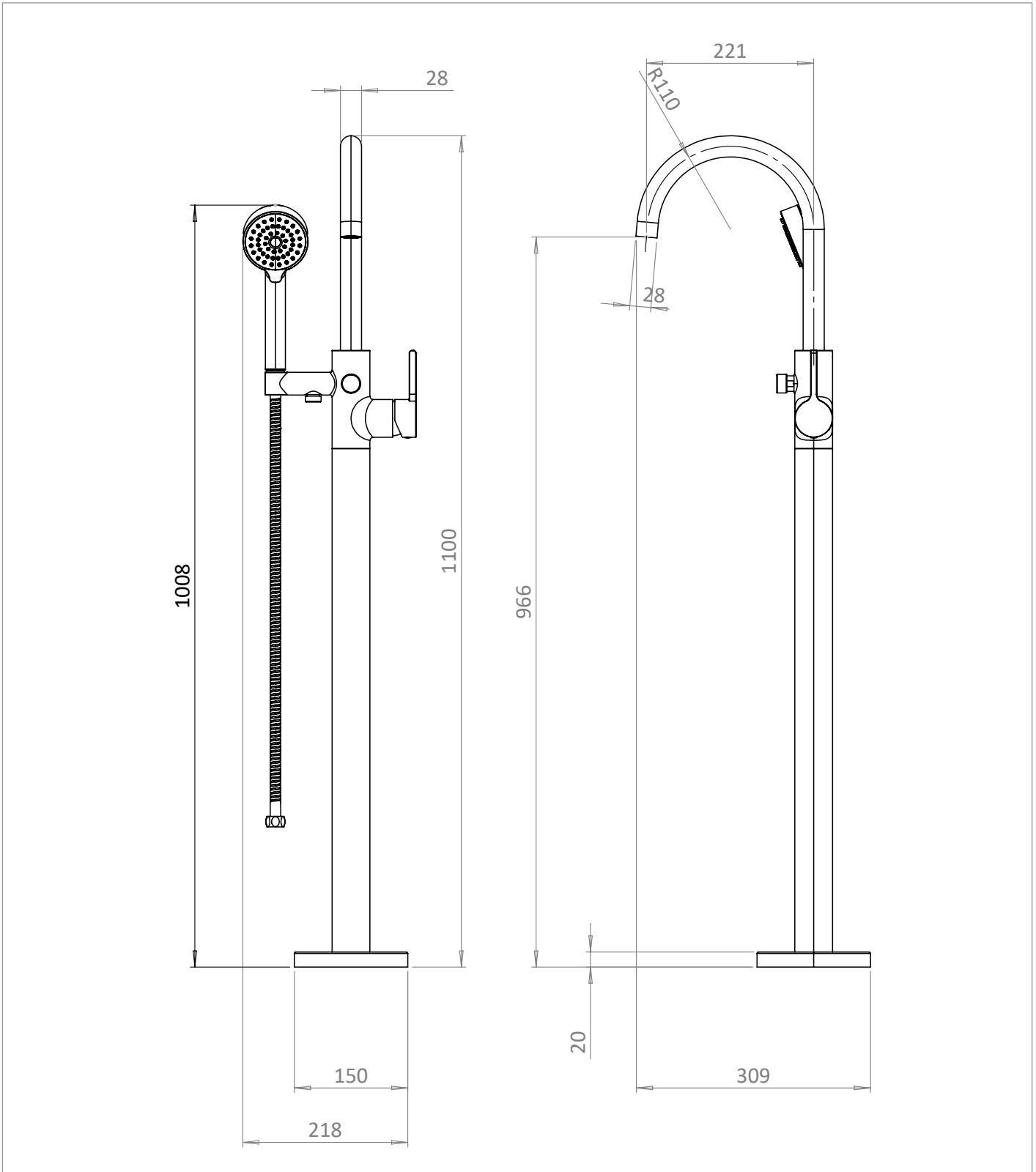
PRESSURE (BAR)	0.2	0.5	1	2	3	4	5
PRIMARY FLOWRATE			14.622	22.316	28.171	33.259	37.916
HANDSET FLOWRATE			7.872	12.256	15.446	18.396	20.834
MASSAGE FLOW RATE							
AIR FLOW RATE							
WIRE FLOW RATE							
WATERFALL FLOW RATE							
MIST FLOW RATE							
HANDSPRAY FLOW RATE							

 Part of the Bathroom Brands Group

TECHNICAL DIMENSIONS

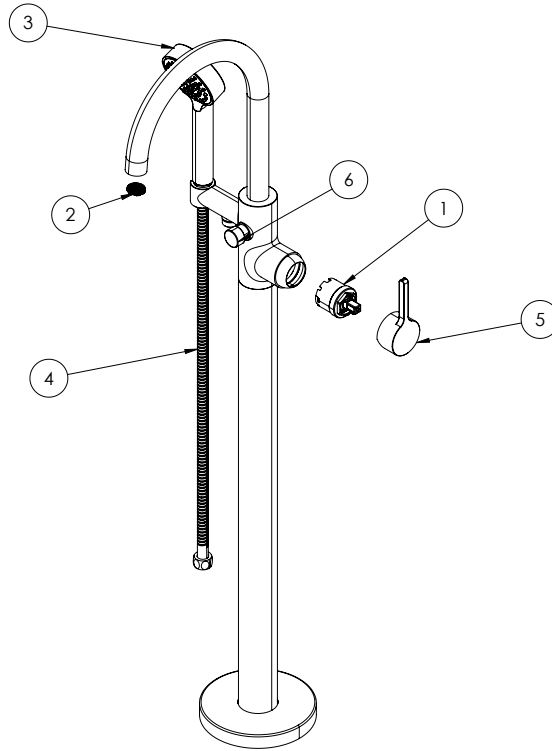
Dimensions in mm unless otherwise specified.

Tolerances (per material type) apply.



SPARES LIST

Only the parts labelled are available as spares.



NUMBER	PART CODE	DESCRIPTION
1	SP1920	Cartridge for HOX416 all finishes
2	SP1935	Aerator for HOX422, HOX416 all finishes
3	SP1941C	Handset for HOX422DC, HOX416FC in chrome
	SP1941F	Handset for HOX422DF, HOX416FF in brushed brass
	SP1941M	Handset for HOX422DM, HOX416FM in matt black
4	SP1942C	Shower hose for HOX422DC, HOX416FC in chrome
	SP1942F	Shower hose for HOX422DF, HOX416FF in brushed brass
	SP1942M	Shower hose for HOX422DM, HOX416FM in matt black
5	SP1943C	Handle for HOX416FC in chrome
	SP1943F	Handle for HOX416FF in brushed brass
	SP1943M	Handle for HOX416FM in matt black
6	SP1946C	Diverter Assembly for HOX416FC in chrome
	SP1946F	Diverter Assembly for HOX416FF in brushed brass
	SP1946M	Diverter Assembly for HOX416FM in matt black