

# PRODUCT DATA SHEET

# BRITTON<sup>®</sup>



## PRODUCT CODE

HOX013F

## RANGE

Hoxton 2.0

## DESCRIPTION

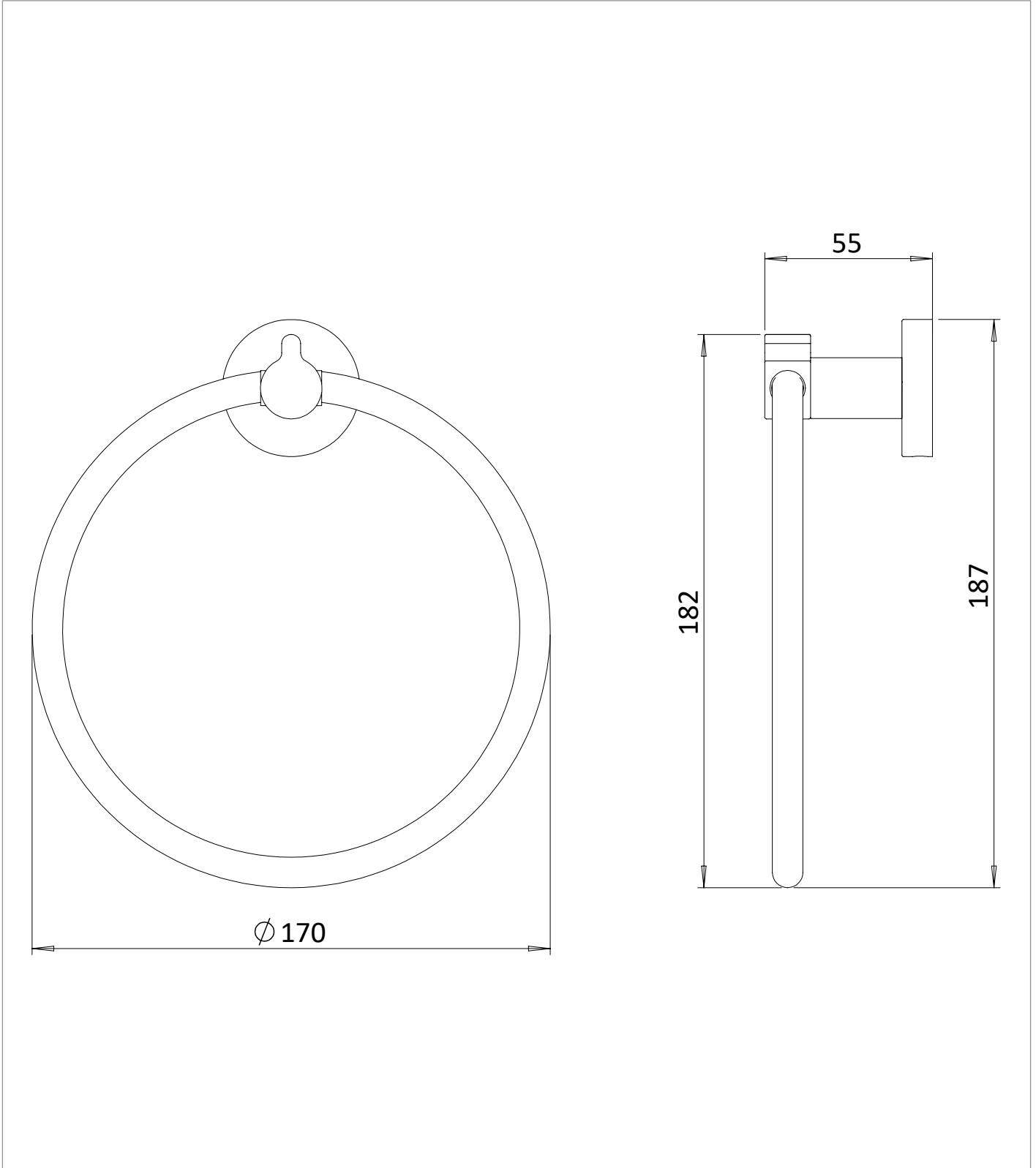
Hoxton 2.0 Towel Ring Brushed Brass

CATEGORY	Brassware
WARRANTY DETAILS	15 Years
COLOUR	Brushed Brass
FINISH APPLICATION	PVD
PRIMARY MATERIAL	Brass
INSTALL TYPE	Wall Mounted
PRODUCT WIDTH MM	170
PRODUCT HEIGHT MM	187
PRODUCT DEPTH MM	55

## TECHNICAL DIMENSIONS

Dimensions in mm unless otherwise specified.

Tolerances (per material type) apply.



## SPARES LIST

Only the parts labelled are available as spares.

SPARES AVAILABLE UPON REQUEST